



MULTI-INTERFACE

DESCRIPTION

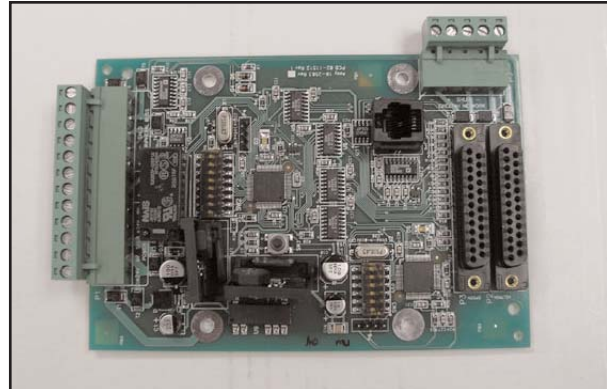
Fike's Multi-Interface Module (MIM), P/N 10-2583, is used with the intelligent control systems, CyberCat and Cheetah Xi. Its main purpose is to communicate information or data between the CyberCat and Cheetah Xi (via RS 485) to existing Cheetah control panels or printers.

This module performs three major functions:

- It acts as a proprietary interface to a Epson FX-890 or equivalent IEEE 1284 standard printer. This module will provide specific event and point information to be communicated from Fike's intelligent panels and printers.
- The module is used as a proprietary interface to a Keltron 90-series serial printer. Again, this will allow the Keltron printer to print event and point specific information as they occur on either Cheetah Xi or CyberCat control panels. The Keltron printer would be needed for those applications that require specifically a UL listed fire alarm printer.
- The module is a gateway between a Cheetah panel and a Cheetah Xi control system. This feature allows the older Cheetah panels to communicate to the newer control systems, which is good for expansion or retrofit applications. The module allows for communication of activation or deactivation of zones 1-100 of the following events to be communicated across the gateway:
 - **Process**
 - **Supervisory**
 - **Trouble**
 - **Disable**
 - **Pre-Alarm 1**
 - **Pre-Alarm 2**
 - **Alarm**

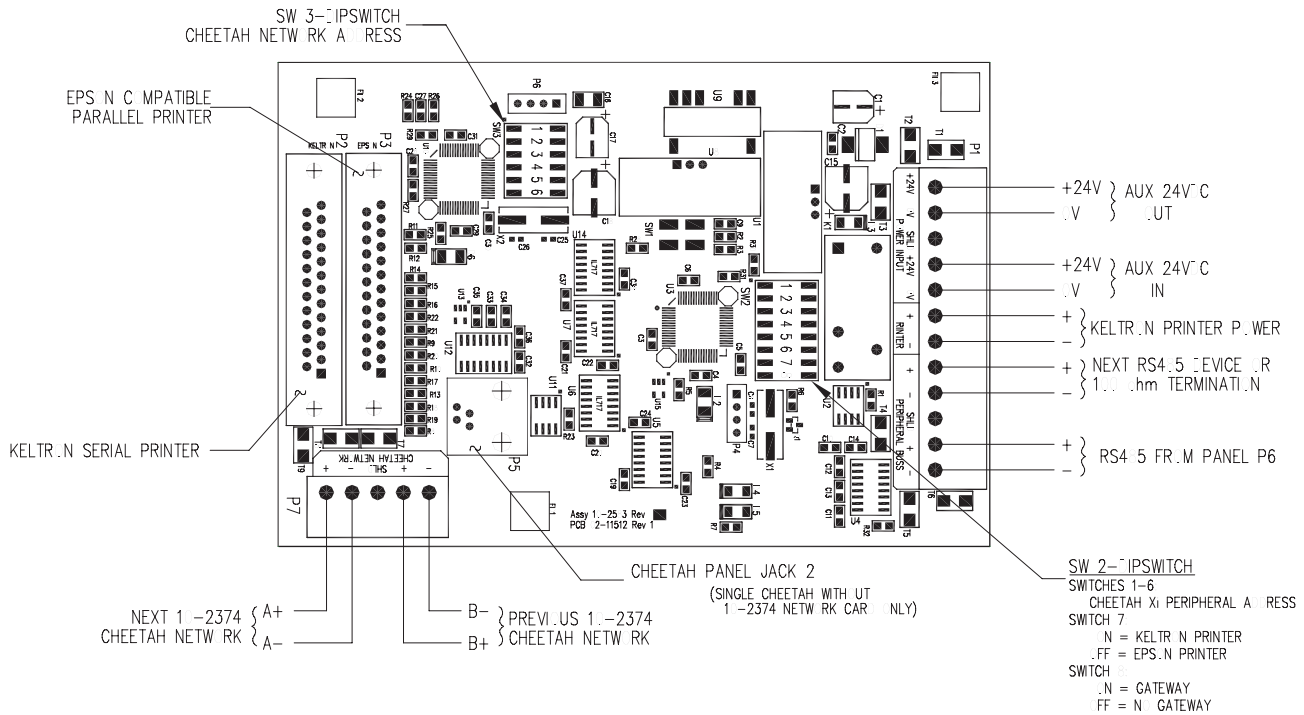
In addition, this module also allows for communication of **RESET, SILENCE, ACKNOWLEDGE,** and **DRILL** to be communicated across the gateway.

The last option for use of the module is you can utilize it as a gateway and parallel printer interface simultaneously. The module has two mounting options, either inside the Cheetah Xi or CyberCat enclosures in the space for the supplemental power supply or externally utilizing Fike P/N 10-069.



P/N 10-2583 Multi-Interface Module

WIRING DIAGRAM



ORDERING INFORMATION

Fike P/N	Description
10-2583	Multi-Interface Module
10-069	Multi-Interface Module with Enclosure
10-2616	VS4095/5 Keltron 90 series UL fire alarm printer w/out enclosure
10-2617	VS ENCREDD Red enclosure for Keltron printer
10-2618	VS ENCGRY Gray enclosure for Keltron printer
10-2619	Epson FX-890 printer

DIPSWITCH ADDRESS TABLE						
1 = .N, . = .FF						
ADDR	DIPSWITCH POSITION					
	1	2	3	4	5	6
1	1
2	.	1
3	1	1
4	.	.	1	.	.	.
5	1	.	1	.	.	.
6	.	1	1	.	.	.
7	1	1	1	.	.	.
8	.	.	.	1	.	.
9	1	.	.	1	.	.
10	.	1	.	1	.	.
11	1	1	.	1	.	.
12	.	.	1	1	.	.
13	1	.	1	1	.	.
14	.	1	1	1	.	.
15	1	1	1	1	.	.
16	1	.
17	1	.	.	.	1	.
18	.	1	.	.	1	.
19	1	1	.	.	1	.
20	.	.	1	.	1	.
21	1	.	1	.	1	.
22	.	1	1	.	1	.
23	1	1	1	.	1	.
24	.	.	.	1	1	.
25	1	.	.	1	1	.
26	.	1	.	1	1	.
27	1	1	.	1	1	.
28	.	.	1	1	1	.
29	1	.	1	1	1	.
30	.	1	1	1	1	.
31	1	1	1	1	1	.
32	1

