

INTELLIGENT NON-RELAY PHOTOELECTRIC DUCT HOUSING

DESCRIPTION

The Intelligent, Non-relay Photoelectric Duct Housing, P/N 63-1158, is designed to provide a mounting point for the Fike Intelligent Photoelectric Duct Sensor, P/N 63-1057 sold separately. The housing is equipped with an integral detector base that allows quick twist-in, twist-out installation of the detector head. This allows quick and easy cleaning or application changes of the detector without removing the duct housing. The housing features a pivoting housing that fits both square and rectangular footprints capable of mounting to a round or rectangular duct.

An improved cover design isolates the sensor head from the low-flow feature for simple maintenance. A cover tamper feature provides a trouble signal at the control panel immediately if the sensor cover is removed or improperly installed. Proper installation of the sensor cover removes the trouble condition. The housing provides a 3/4 inch conduit knockout and ample space to facilitate easy wiring and mounting of relay module. The duct housing can be customized to meet local codes and specifications without additional wiring.

The duct housing provides a remote alarm output for use with auxiliary devices, such as the remote LED annunciator and remote test stations. See ordering information for part numbers.

FEATURES

- Photoelectric, integrated low-flow technology (detector head sold separately)
- Air velocity rating from 100 ft/min to 4000 ft/min (1.52 m/s to 20.32 m/s)
- Versatile mounting options: square or rectangular configuration
- Broad ranges for operating temperature -4 to 158°F (-20 to 70°C) and humidity 0% to 95% non condensing
- Patented sampling tube installs from front or back of the detector with no tools required
- New cover tamper signal
- Increased wiring space with a newly added 3/4 inch conduit knockout
- Available space within housing to accommodate mounting of relay module
- Clear cover for convenient visual inspection
- UL 268A listed
- Remote testing capability
- Requires com line power only

SPECIFICATIONS

Size:	Rectangular: 14.38 in (37 cm) length; 5 in (12.7 cm) width; 2.5 in (6.36 cm) depth Square: 7.75 in (19.7 cm) length; 9 in (22.9 cm) width; 2.5 in (6.35 cm) depth
Weight:	1.6 lb (0.73 kg)
Operating Temperature Range:	-4 to 158°F (-20 to 70°C)
Storage Temperature Range:	-22 to 158°F (-30 to 70°C)
Operating Humidity Range:	0% to 95% relative humidity (non-condensing)
Air Duct Velocity:	100 to 4000 ft/min (1.52 to 20.32 m/s)
Accessory Current Loads:	02-3868 Remote Annunciator Alarm LED (Standby 0 mA/Alarm 12 mA max.) 02-3869/02-4998 Remote Test Stations (Standby 0 mA/Alarm 12mA max.)



APPROVALS:

- UL - S4021
- FM
- CSFM - 3242-1653:0209
- MSFM - 2242

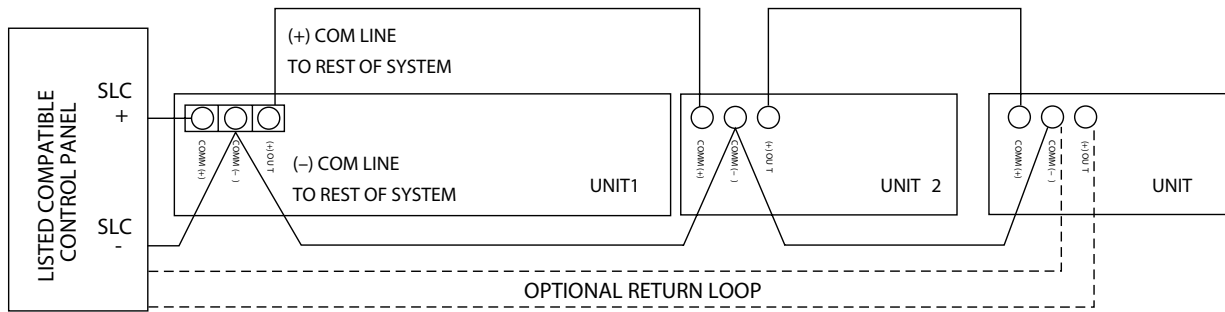


ORDERING INFORMATION

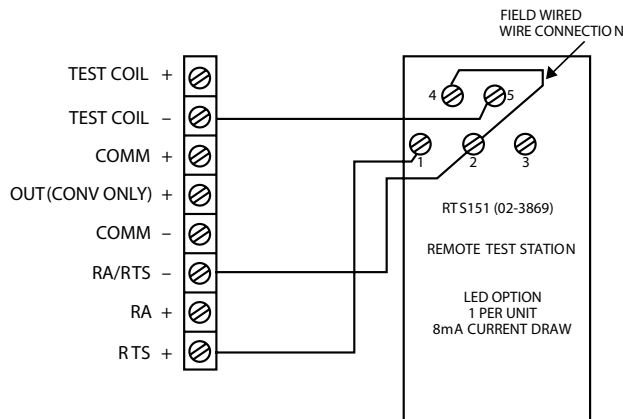
Fike P/N	Mfg. Model	Description
Housing		
63-1158	DNRECL	Intelligent non-relay photoelectric low-flow duct smoke detector
Duct Sensors		
63-1057	ED-PD	Photo duct sensor
Sampling Tubes		
63-1159	DST1	Metal sampling tube duct width up to 1ft (0.3 m)
63-1160	DST1.5	Metal sampling tube duct widths 1 ft to 2 ft (0.3 to 0.6 m)
63-1161	DST3	Metal sampling tube duct widths 2 ft to 4 ft (0.6 to 1.2 m)
63-1162	DST5	Metal sampling tube duct widths 4 ft to 8 ft (1.2 to 2.4 m)
63-1163	DST10	Metal sampling tube duct widths 8 ft to 12 ft (2.4 to 3.7 m)
Accessories		
13-0125	DH400OE-1	Weatherproof enclosure
20-1811	ETX	Metal exhaust tube duct width 1 ft (0.3 m)
02-4677	P48-21-00	End cap for metal sampling tubes
02-3868	RA100Z	Remote annunciator alarm LED
02-3869	RTS151	Remote test station
02-4998	RTS151KEY	Remote test station with key

WIRING DIAGRAM

System Wiring Diagram for 63-1158



Wiring Diagram from 63-1158 to 02-3869



Wiring Diagram from 63-1158 to 02-3868

