

CONVENTIONAL DETECTOR BASES

NS6 AND NS4 SERIES BASE



NS Series Bases	Alarm Current	ID
NS6-224 OR NS4-224	43mA (70mA @ 33.0V MAX)	HB-5
NS6-220 OR NS4-220	93mA (136mA @ 33.0V MAX)	HB-3
NS6-221 OR NS4-221	46mA (77mA @ 33.0V MAX)	HB-4
NS6-100* OR NS4-100*	150mA @ 15.0-33.0V MAX	HB-55

* Requires external current limiting to 150mA maximum

The NS6 and NS4 series bases are designed specifically for use with Hochiki's conventional models:

- Photoelectric smoke detectors: SOE-24V, SOE-24H, SOC-24V, SOC-24VN, SLR-24V, SLV-24, SLV-24N, SLV-24V, SLR-835, SLR-24H
- Photoelectric with heat smoke detector: SLR-835H
- Fixed temperature/rate-of-rise heat detector: DCD-135/190

The NS6 base is an electronics free 6" base featuring a plastic tamper-lock lug. Each base is equipped with a resistor. Please refer to the chart (left) for additional specifications. The NS4 base is a 4" version of the NS6 base.

Models HSC-224R, HSC-220R and the HSC-221R are designed specifically for use with the Hochiki conventional models SOE-24V, SOE-24H, SOC-24V, SOC-24VN, SLR-24H, SLR-24V, SLV-24, SLV-24N, SLV-24V, SLR-835, SLR-835H, DCD-135/190. The HSC-(X)R series is a 6" base with two sets of Form "C" relay contacts.

Models HSC-224R, HSC-220R and the HSC-221R are also approved for use with Hochiki's previous conventional model DFE 135/190.

HSC-(X)R RELAY BASE & HSC- 4R 4 WIRE BASE



2 Wire Auxiliary Relay Bases	Alarm Current	ID
HSC-224R	43mA (58mA @ 30.0V MAX)	HB-73
HSC-220R	88mA (98mA @ 26.5V MAX)	HB-72
HSC-221R	49mA (62mA @ 30.0V MAX)	HB-71

4 Wire Base	Alarm Current	ID
HSC-4R	43mA (58mA @ 30.0V MAX)	N/A

The HSC-4R is designed specifically for 24 volt 4 wire applications using Hochiki conventional models SOE-24V, SOE-24H, SOC-24V, SOC-24VN, SLR-24H, SLR-24V, SLV-24, SLV-24N, SLV-24V, SLR-835, SLR-835H or DCD-135/190. The 6" diameter base is current limited. Relay contact place a direct short circuit across the loop when the detector is actuated.

Model HSC-4R is also approved for use with Hochiki's previous conventional model DFE 135/190.

The HSC-L base series are designed specifically for use with the Hochiki fixed temperature heat detectors (models DFE-135/190).

The HSC-L series is a 6" base featuring a current limiting resistor, latching annunciator output and a latching circuit so the alarm LED will remain lit until the control panel has been reset.

Bases are available in bone or white to match the detector. Bone (off-white) is the standard color for detectors and bases for most applications.

HSC-(X) L LATCHING LED BASE



2 Wire Latching	Alarm Current	ID
HSC-224L	35-42mA @ 24V (54mA MAX)	HB-62
HSC-220L	67-80mA @ 24V (88.5mA @ 26.5V DC MAX)	HB-64
HSC-221L	37-45mA @ 24V (57mA MAX)	HB-63

BASE	BOX MOUNTING		
	3" OCT	4" OCT	4" SQR
NS4-BASE	YES	NO	NO
NS6-BASE	NO	YES	YES
HSC-BASE	NO	YES	YES

PRODUCT LISTINGS



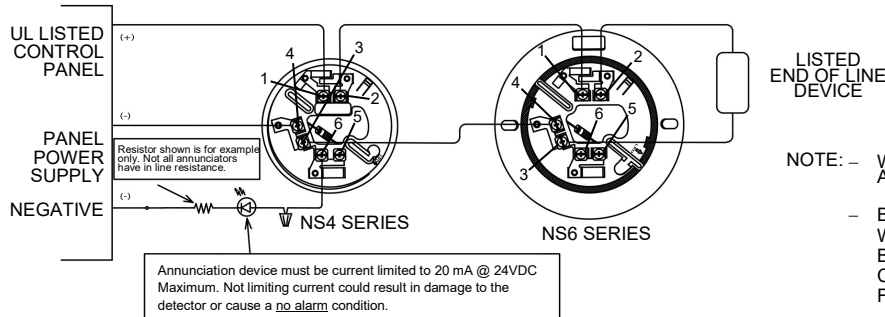
California State
Fire Marshal
7300-0410-0132

We try to keep our product information up-to-date and accurate. However, we cannot cover all specifications or anticipate all requirements. For additional information contact your local distributor or Hochiki America Corporation.

CONVENTIONAL DETECTOR BASES

NS4 AND NS6 SERIES BASE

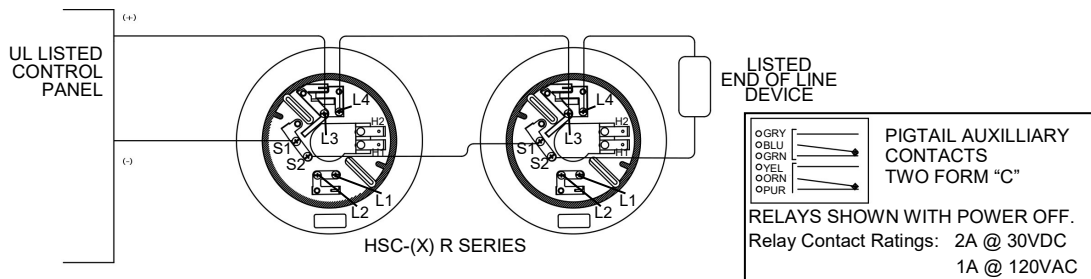
2-WIRE OPERATION



- NOTE: - WIRING TERMINALS FOR THE NS4 AND NS6 ARE IDENTICAL
- BASES ARE AVAILABLE IN BONE OR WHITE TO MATCH THE DETECTOR. BONE (OFF WHITE) IS THE STANDARD COLOR FOR DETECTORS AND BASES FOR MOST APPLICATIONS.
 - BASES WITH THE "W" SUFFIX ARE WHITE IN COLOR

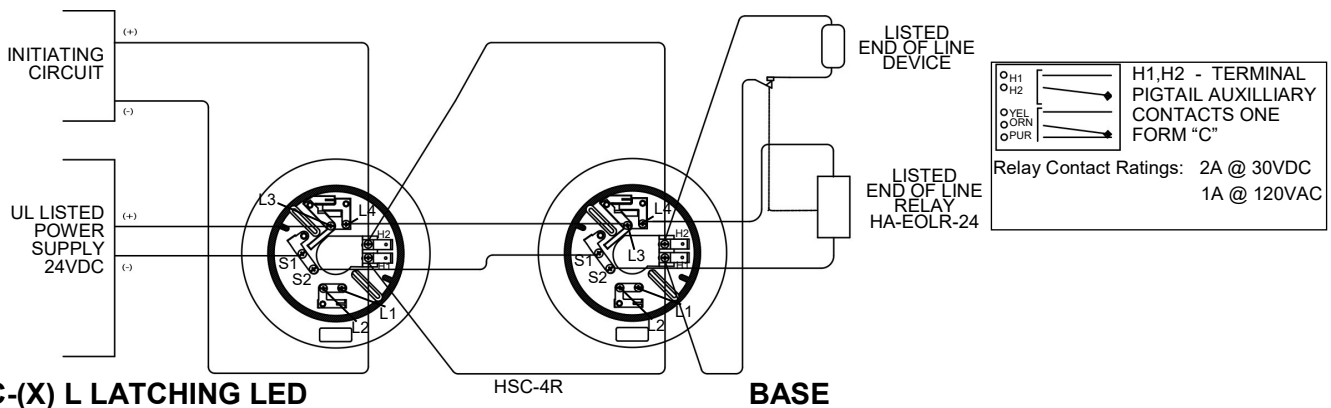
HSC-(X)R RELAY BASE

2-WIRE OPERATION



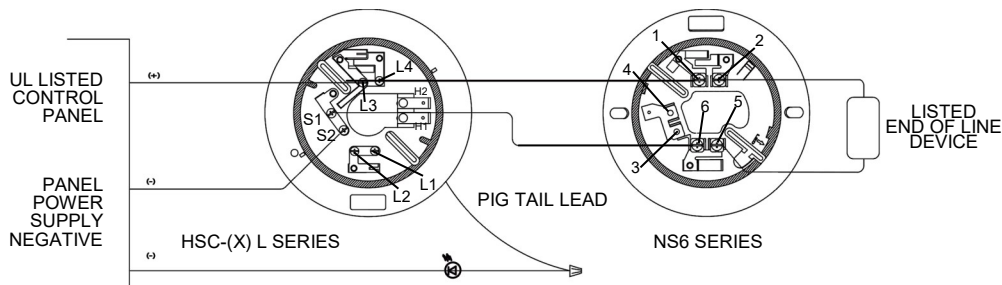
HSC-4R FOUR WIRE BASE

4-WIRE OPERATION



HSC-(X) L LATCHING LED

2-WIRE OPERATION



We try to keep our product information up-to-date and accurate. However, we cannot cover all specifications or anticipate all requirements. For additional information contact your local distributor or Hochiki America Corporation.